

Critical Environment Diffuser

CED-IOM

Table of Content

Inspection 3

Installation 3

NOTE: THIS INSTALLATION MANUAL APPLIES TO THE FOLLOWING MODELS: RADIATEC, TDCR, TLF, TLFR, TLF-LED, TLFR-LED AND TRITECR

■ Inspection

Unpack and inspect all diffuser faces, plenum sections and hardware components; check for shipping damage. Report damage to delivering carrier, and contact Titus for Replacement components.

■ Installation

The diffusers can be installed as a surface mount application or in an integrated ceiling system as a lay-in type diffuser. Either method of installation requires support of the diffusers.

Suspension methods or devices utilized must have demonstrated suitability either by standard construction practice or by certified data, and must be capable of supporting the weight of the diffuser(s).

Integrated Ceiling System/Lay-in Applications

Raise unit up through installed grid system and suspend unit. Ensure the entire diffuser frame sits flush against the gasket (by others) installed on the grid. Support diffuser utilizing provided hanging tabs.

When a surface mount adapter is used and diffuser is to be installed in a similar manner.

Surface Mount Applications

Diffusers can be installed prior to or after installation of drywall ceiling. If ceiling is already installed, access above the ceiling space will be required. Diffusers should be supported from above.

Prior to beginning installation diffuser faces should be removed.

Opening in the drywall ceiling should be 2 inches smaller than the nominal diffuser length/width. Channels (by others), running the length of the opening in the drywall, should be installed flush with the edge of the drywall opening.

Adjust the hanger wire or threaded rod supports to snug mounting frame border to drywall. Install blocking (by others) as necessary to center plenum within opening.

Fasten diffuser plenum and mounting frame to channel and blocking with sheet metal screws from the room side. Screw heads should be installed flush with the diffuser plenum/mounting frame. Screws are to be sealed once installed.

Re-install diffuser faces. Ensure safety cables are re-attached to diffuser faces.

HEPA Filter Instructions – RadiaTecR, TDCR, TLFR, TLFR-LED and TriTecR

The following instructions apply to the RadiaTecR, TDCR, TLFR, TLFR-LED and TriTecR models equipped with HEPA rack option

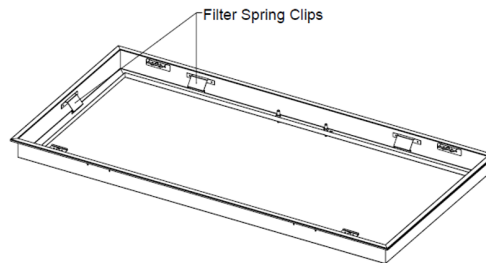
WARNING: The HEPA filter may be protected by an expanded metal screen. This is to prevent accidental touching of the filter media. It is not meant to allow handling of the filter in these areas. Handle the filter ONLY by the frame.

Tools required: Flat screw driver

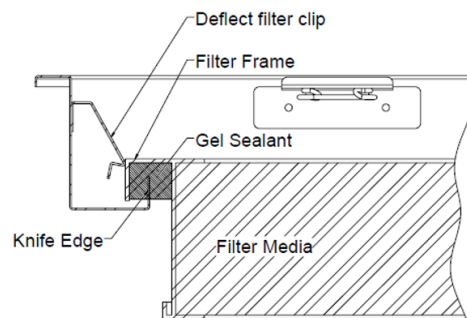
NOTE: The manufacturer recommends two people to remove and install the HEPA filter in the unit.

Step 1 -- Shut off airflow to the diffuser.

Step 2 -- Using a flat screw driver, release the face frame by rotating the four (4) fasteners a quarter-turn counter clock-wise. Unhook the safety cables from the filter clips. Set the frame aside.



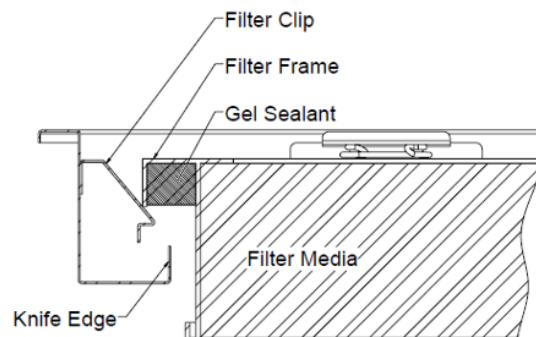
Step 3 – Depress filter spring clip retainers individually until they have disengaged the filter frame. **USE TWO PEOPLE TO SUPPORT THE FILTER.**



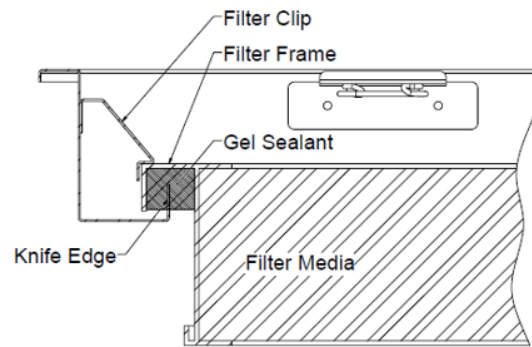
Step 4 – Slowly and evenly pull the filter away from the unit. If installing a new filter discard the filter in an appropriate manner.

Step 5 -- Unpack the new filter and inspect for shipping damage. If damage is found do not install in unit; call the manufacturer for replacement arrangements.

Step 6 -- Using two people, raise the filter into place assuring the seal edge is approximately in the center of the gel channel. The filter spring clips will help align the filter.



Step 7 -- While supporting the filter by its frame, press evenly on the filter until all spring clips have fully engaged the filter frame. Wait at least 30 minutes before performing any challenge testing to allow the gel to fully adhere to the unit.



Step 8 -- Raise the diffuser face back into place, re-attach the safety chains, and secure quarter-turn fasteners.

LED Lighting Instructions – TLF-LED and TLFR-LED

The following instructions apply to the TLF-LED and TLFR-LED models

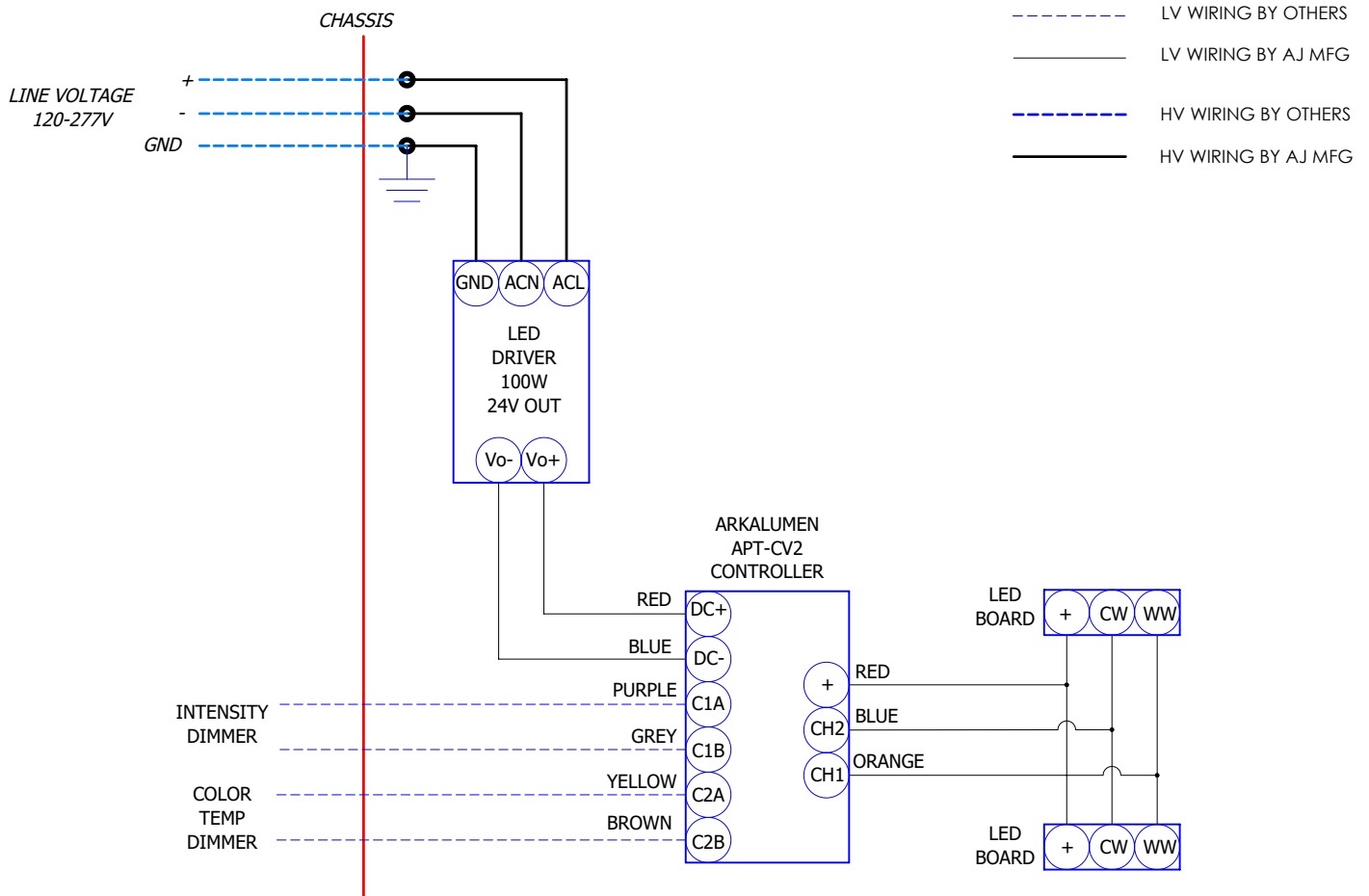
Step 1 – Disconnect power supply.

Step 2 – Remove face to access electrical box from the room side.

Step 3 – Bring in line voltage wires for power and low voltage wiring for dimming.

Step 4 – If control of color temperature is required, bring in an additional set of low voltage wires.

Wiring Diagram



For driver IOM, please refer to: <https://www.meanwell.com/Upload/PDF/NTS,NTU-E.pdf>

For controller IOM, please refer to: <https://www.arkalumen.com/led-controllers-apt-cv2/>

605 Shiloh Rd
Plano TX 75074
ofc: 972.212.4800
fax: 972.212.4884

Redefine your comfort zone.™ | www.titus-hvac.com

